



**ALBERTA PROVINCIAL
GYMKHANA
ASSOCIATION
(A.P.G.A)**

RULE BOOK

2015-2016-2017 Edition

OBJECTIVES OF THE ASSOCIATION

APGA started as “Alberta Professional Gymkhana Association” in 1985. In 1989, the name was changed to the Alberta Provincial Gymkhana Association, A.P.G.A.

The Goals of the “Alberta Provincial Gymkhana Association” are:

To promote a family sport where members of all ages, from children in Pre-PeeWee Class to the Grandmothers and Grandfathers in the Senior Class, can participate at the same show.

To provide a venue for competition in gymkhana events in Alberta for all levels of skill. To allow riders, including the novice or beginners, a place to ride, participate and compete at a skill level where they can learn, have fun and retain their enthusiasm for Gymkhana.

CLASSES: Pre-PeeWee, PeeWee, Junior, Intermediate, Ladies, Women’s, Men’s, Seniors

EVENTS:

The events are to be setup as per the following:

Barrels: All help set up

Poles: Men

Stakes: Intermediates

Keyhole: Saturday, Women; Sunday, Ladies;
- require centre line judge each day

Flags: Seniors (Juniors and Pee Wees re-set flags)

GENERAL RULES

1. The rules contained in this booklet are to apply for a minimum of three years. Next official rule change year is **2017**. On an official rule change year, changes require a simple majority vote of Association members. Only at an Annual General Meeting can changes to rules be made.
2. All contestants competing at any show or activity hosted by the Association must abide by the rules and regulations set out in the APGA Rule Book.
3. APGA Executive and Judges are responsible for ensuring that all rules are adhered to.
4. Horses to be shown under clean, serviceable western tack and riders to be dressed in suitable attire in all classes. Western attire to be long sleeved shirts, properly buttoned or snapped, sweater or vest with collar showing, long western pants, cowboy boots and cowboy hat or helmet. Tail-less western shirts are acceptable. Female riders may wear collarless, button less long sleeve western shirts. For payout, riders must wear full western attire and horses must be in full tack. All riders under the 18 must wear a proper fitting certified SEI helmet at all APGA hosted or sanctioned events/grounds/facilities. If a member is not in full western attire/full tack at payout, they do receive their pay cheque and the funds are returned to APGA.
5. Contestants shall be disqualified for abusing horses in any manner or for misconduct, for the remainder of the show at which the infraction occurs.
6. In all events riders may use any humane type bit, hackamore, or bosal.
7. In all events riders may use any two of the following: standard bat, spurs, over and under rope or reins.

8. Hats or proper fitting helmets must be on when the rider crosses the start line (white line) and any loss will result in a one second penalty. Riders under 18 years of age must wear a proper fitting certified SEI helmet.
9. A contestant will be considered a Pre-Pewee when the child is either led by an adult on foot or accompanied by an adult/parent on foot in the arena. Peewee is a child who has not attained his/her 10th birthday on January 1st of the current year; a Junior who has not attained his/her 14th birthday on January 1st of the current year; an intermediate who has not attained his/her 18th birthday on January 1st of the current year. Adults will be separated into Ladies, Women's and Men's classes. Ladies class is ages 18-35 and Women's class is 36-49. Seniors will not be divided. Peeweeps, Juniors and Intermediates may choose to move up to a higher level age group but once they have chosen to do so, must remain with that group for the balance of the year.
10. A 50 and over Senior class will combine men and women who have reached their 50th birthday by January 1st of the current year. Anyone who is qualified for the Senior class can choose between riding in their class or the Men's or Women's class, but not both.
11. A contestant may not ride two horses in the same class and may not switch horses for different events. No two riders may use the same horse in gymkhana, with the only exception of a Pre-PeeWee rider in a Pre-PeeWee class. 1 rider, 1 horse rule.
12. Stallions may be ridden but must be kept under supervision at all times. Failure to do so will result in disqualification and removal of animal from the show grounds. Stallion handlers and/or riders must be at

- least 18 years of age. Notification of riding a stallion needs to be given at registration and a visual identifier must be on horse at all times. (eg blue ribbon)
13. A contestant who is not ready when called for any event or refuses to perform as instructed by the judge may be disqualified for the event and forfeit his entry fee. At the discretion of the judge, a rider may be disqualified if they are not ready to come to the gate when called to enter into the arena. One minute will be allowed for a contestant to start his run after the starting whistle is blown. In all timed events, time will start when horse starts electric timer. Starting signal to be a whistle.
 14. Horses are to be allowed to enter the arena before the show commences, but horses are to leave the show ring or arena one half hour before the show begins, at the discretion of show management.
 15. Both judges, show host and two executive members are to inspect the arena before and during the show for satisfactory riding conditions. Any cancellation will be determined by the two judges, show host and two executive members.
 16. In all events, electronic timers will be used. Upon failure of electronic timers where the rider had a clean run, the rider will be awarded a re-ride. During the reride one knock down (barrel, pole, stake, flag, one step on or over the keyhole line) plus one second will be added and riders reride time will count. Manual back-up timers (stopwatches) will be used for all re-rides in conjunction with the electronic timer. In the event that the electronic timer fails a second time, the stopwatch time will be recorded as the timer for the re-ride.

17. In the case of a tie in points, we go back to the times to figure out the placing. If there is a tie to the 1000s, we pay out two prizes of equal value for that placing.
18. Disqualification will result from contestants hitting in front of the cinch during any of the gymkhana events. This includes, but is not limited to, slapping the horse with a hand, hitting with a whip, bat, reins or under and over rope, or spurring the horse in front of the cinch.
19. Any rider interfering, colliding with or cutting off other riders (example crossing the center line), while in the arena, shall be disqualified, in that particular event. The rider being interfered with will be allowed a reride if not already disqualified.
20. For all events except Barrels, a white line will be drawn down the center (lengthwise) of the arena. Crossing or touching the centre line in the stopping area, before both riders have completed their runs and the out gate has been opened, will result in a one second penalty.
21. Horses may be led into the show ring or arena and may be lead to start line if necessary. The individual leading doesn't need to move to the side of the arena, as long as there is no interference with the rider. Interference can be called upon discretion of the judge.
22. No reruns will be allowed on account of faulty tack or falling of horses. If a horse falls after crossing the finish line, this will not be cause for disqualification.
23. Feet must be in the stirrups at the start of each ride. Elastics may be used on stirrups.
24. At any time any rider who crosses the start/stop line before the whistle being blown will be disqualified.
25. A pacer must have already run a prior race and been recorded. Pacing option goes to riders in the same

class first.

26. Dogs must be on a leash while on the show grounds.
27. Payout is awarded only when points are earned, except the PeeWee class which will be awarded payout based on times. Pre-PeeWee class does not receive points or payout.
28. **NO TOLERANCE RULE:** This rule is required to
 - a) protect the integrity of the Association and
 - b) deal with matters such as abusive or threatening language/actions, inappropriate behavior directed at judges, executive, members, hosts or volunteers and/or APGA rule violations. It is the position of the executive to take these subject matters seriously and act on them in a timely manner. At the discretion of the Executive, depending on the severity of the situation, this may include:
 - Verbal and/or written warning and/or
 - Disqualification and/or
 - APGA membership revoked

These actions would require agreement by a minimum of 4 of the 6 Executive positions. It is the responsibility of the membership and the Executive to maintain APGA's high standard and to promote a fair and safe family oriented organization for all current and new members to enjoy.
29. Qualifying points will be accumulated throughout the current year to qualify for the year-end accumulative points award for each riding division.
30. All the riding membership will qualify to ride at the year-end show providing they have attended 50% of APGA runs after their membership and fundraiser fee has been paid.
31. Points are to be determined by the 100 point system.

32. All fees for the shows are determined by APGA.
33. The placing will be paid back as determined by APGA.
34. Finals payout will be paid as determined by APGA each year.
35. Non-members can run for day money and prizes. No points to be accumulated for yearend until membership and fundraiser fee is paid.
36. The hosting club is responsible to provide satisfactory grounds, safe and adequate parking, and to operate in compliance with all APGA General Rules and Bylaws. Compliance with all APGA rules and bylaws must be understood and agreed upon prior to APGA sanctioning a show. Announcers, judges, timers, recorders and arena help will be provided by APGA. Hosting clubs are encouraged to provide arena help.
37. APGA shows will start at a time determined by the hosting club unless otherwise arranged.
38. All times shall be recorded. Times will be announced even in the case of disqualification. Reason for disqualification to be announced.
39. In the event of disbandment of the club, disbandment of funds shall be determined by a majority vote of club members in good standing.
40. Contestants, equipment, horses and spectators and their vehicles enter into the Association activities entirely at their own Risk. The Association will not be held responsible for injury to people or animals or damage to equipment or vehicles.
41. At all APGA shows a judge's decision is final with absolutely no recourse. Concerns or questions to be taken to the President who will in turn discuss with the judge.
42. Grievance Process: If a member has a concern/complaint that they believe has not been

effectively addressed in person with an Executive, they may submit the APGA form in writing to the President, a minimum of 24 hours after a show. This form will be reviewed by the Executive who will provide a response to the member. This form is not be used to contest a judge's call.

EQUIPMENT

- Barrels The barrels shall be steel 45 gallon drums with rubber approx. 2" X 6" foam padding placed on the top rim of barrel with a cover
- Poles Poles shall be plastic 6 feet high, set in torque convertors.
- Stakes Stakes shall be plastic 6 feet high, set in torque convertors.
- Flags Flags shall be 4 foot stakes which are 1 inch in diameter. The flag holders shall either be flat or rounded. The flag barrel shall be approximately 25 inches deep, and approximately 14 inches in diameter. There shall be approximately 4 inches of dirt in bottom of flag barrel.

JUDGES

Judges should be presented a copy of the current rules.

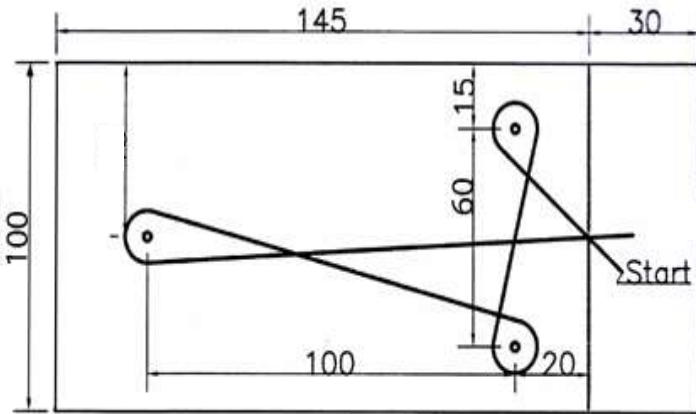
Judges decision will be final.

TIMED EVENTS

Whistle will not be blown until riders are in arena and gate is closed. In all gymkhana events, breaking pattern, going off course or backing up will result in disqualification.

BARREL RACE

1. Barrels be set 15 feet from the respective fences or to accommodate arena. Score line 20 feet. Indoor arena score line 20 feet. At least 30 feet stopping space. Barrel distance **60 feet** by 100 feet.
2. Barrels and starting line must be permanently staked for entire contest.
3. Either barrel 1 or 2 may be taken first but contestant will be disqualified for not following the prescribed cloverleaf course.



DISQUALIFICATION

Knocking over barrel.

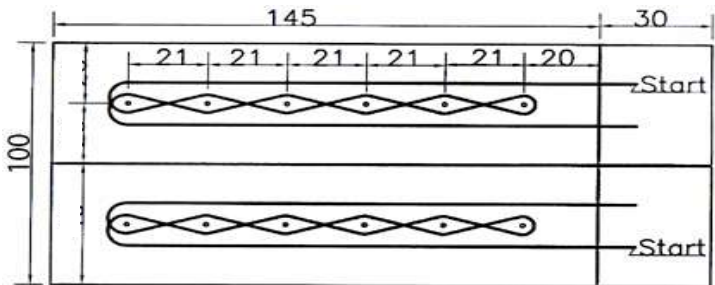
Going off course.

Crossing start-finish line before completion of course.

Backing up.

POLE BENDING

The course consists of six (6) poles in a straight row spaced 21 feet apart with start and finish line 20 feet from first pole. Upon signal from starter, rider starts from a running start and races to the sixth pole, and passes successive poles on alternate sides, turns the first pole and returns in the same manner. After turning the sixth pole the second time, rider races to finish line. This course may be run from either left or right but contestant will be disqualified for not following prescribed weaving pattern.



DISQUALIFICATION

Knocking over a pole.

Being off course

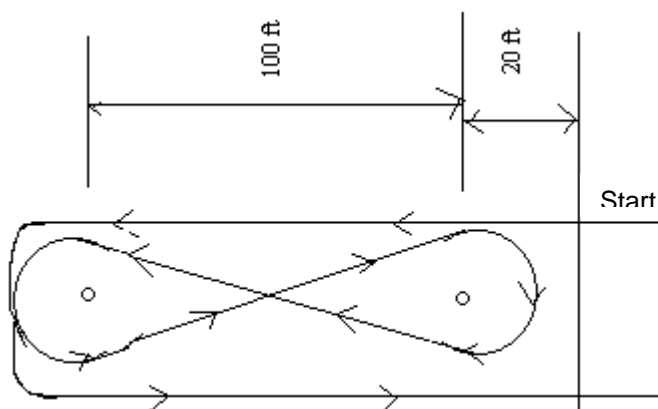
Crossing finish line before completing the course.

Backing up.

- A knockdown shall be assessed if, at the end of the run, the end of the stake is 4 feet or less from the ground.

LONG STAKE RACE

Stakes to be set 100 feet apart with start and finish line 20 feet from the first stake. Upon signal from starter, rider starts from a running start and races to the second stake and makes a left hand turn around the first stake, right hand turn around the second stake, left hand turn around the third stake, then running straight past the finish line. The course may be run from either a left or right turn at the top stake, but proper sequence in the figure eight must be completed.



DISQUALIFICATION

Knocking over a stake.

Being off course.

Crossing finish line before completing the course.

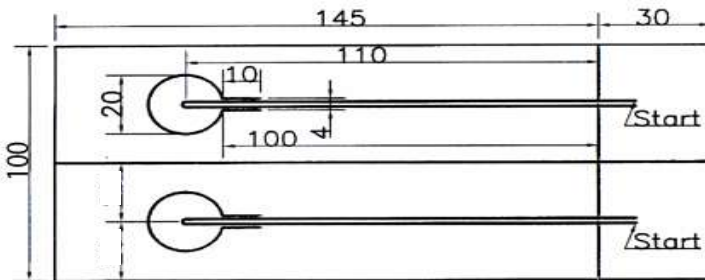
Backing up.

- A knockdown shall be assessed if, at the end of the run, the end of the stake is 4 feet or less from the ground.

KEYHOLE RACE

Course to be set up as shown in diagram.

Draw a circle of flour on the ground 20 feet in diameter with a slot four feet wide and 10 feet long. A starting line is set back 100 feet from the opening of the circle. A rider is timed from when crossing the starting line, through the slot, turning in the key hole and running to the same line to finish. Stepping on or over a line in the slot or keyhole disqualifies contestant. A judge or judges must be directly behind the keyhole. Judges decisions will be final.



DISQUALIFICATION

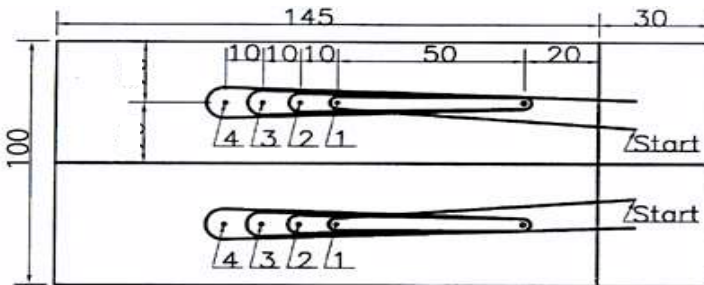
Going off course

Horse stepping on or over any part of flour keyhole.

FLAG PICKING

Course to be set up as shown in diagram with four flags four feet long. To be set in the holders in a straight line 10 feet apart. The container barrel with sand approximately 4 inches in the bottom is to be set 50 feet away from flags, and 20 feet away from the starting line. A rider is timed from when crossing the starting line and races past empty barrel to first flag, picking it up and depositing in the barrel, and so on consecutively with all four flags. After the last flag is deposited in the barrel, rider will race across finish line. Flags to be picked as per diagram#1 flag to be picked first.

Rider may pick flags starting on right or left following prescribed course.



DISQUALIFICATION

Not going around flag or barrel.

Not picking flags in proper order.

Crossing finish line before course is finished.

Knocking barrel over. Knocking flag over.

Dropping flag.

Going around flag or barrel more than once on each flag.

Hitting horse with the flags.

(if flag holder is run over on the way home and flag is placed into the barrel on correct side, the rider is clean)

BY-LAWS OF THE
ALBERTA PROVINCIAL GYMKHANA ASSOCIATION

1. Membership in the Alberta Provincial Gymkhana Association (APGA) (here in after referred to as the "ASSOC") shall be available to those individuals who:
 - a) support the Assoc. and its activities.
 - b) make payment of the annual membership fees.
 - c) guided by the by-laws, general Assoc. rules, and general riding rules of the Assoc.
 - d) promote, by example, good horsemanship and good citizenship.
 - e) actively assist the youth of the Assoc. in these same objectives.
2. The annual membership fee
 - a) shall be set by the members of the Association from time to time as they may decide by a majority vote at the Annual General Meeting.
 - b) when paid shall entitle the member to all privileges (particularly voting and participation in events) of the Assoc. until the beginning of the first spring meeting for which the membership is issued.
 - c) must be paid before points are accumulated and runs count towards the finals.
 - d) All APGA members must participate in 50% of the total APGA runs confirmed at the spring general meeting to qualify for finals. In the event that a show is cancelled or rescheduled, it will no longer be included in the percentage of shows required by a member to attend. If the show is cancelled or the location is moved, the riders that are present or en route will be credited for that run and points and attendance will count towards individual's

- year end totals.
- e) Participation at shows that are added after the spring meeting will count towards individual's 50% participation and year end totals.
 3. A membership in good standing is a member who has paid the annual membership fee and who supports the objectives of the Association.
 4. Once a member joins APGA there will be no refund for whatever reason. Be it, withdrawal, resignation or expulsion from the Assoc.
 5. The affairs of the Assoc. shall be executed, according to the direction given to it by the membership of the Assoc.
 6. The executive, all of who shall be duly elected from the membership of the Assoc. shall be elected no later than December 31st of each year at the Annual General Meeting.
 7. The executive of the Assoc. shall consist of:
 - a) President
 - b) Vice President
 - c) Secretary
 - d) Treasurer
 - e) Recording Secretary (2)
 - f) Board of directors (minimum of 5)
 8. A member of the Executive may withdraw from his or her office by tendering his or her resignation in writing, to an executive of the Assoc.
 9. A member of the Executive may be expelled from his or her office at any general meeting by a majority vote of not less than three-fourths of the membership entitled to vote who are present.
 10. A vacancy in the executive shall be filled by a by-election to be held at the next meeting of the Assoc.
 11. Should APGA dissolve, all members receive back their

annual membership fee, all debts are paid and any remaining funds are donated to a charity voted upon by a quorum of the membership.

EXECUTIVE DUTIES

12. President
 - a) shall call and preside as chairperson, over all meetings of the Assoc.
 - b) shall conduct meetings in an orderly fashion.
 - c) shall have the option to serve and attend all committee meetings as may be designated from time to time by the members.
 - d) shall break all voting ties when applicable
13. Vice President
 - a) shall perform the functions of the president in his/her absence.
 - b) shall perform the duties as requested by the president or on the direction of the Executive and membership.
14. Secretary
 - a) shall be responsible to notify the membership and the Executive of the Annual General Meeting and all meetings.
 - b) to record and transcribe the proceedings noting business arising from each meeting.
 - c) shall maintain properly such records and copies of other correspondence and transfer the same to the succeeding Secretary
 - d) will maintain an attendance record at all meetings.
 - e) Shall keep a record of all members of the society and their addresses.
 - f) Shall be responsible for sending out the minutes of all meetings to the membership within 30 days.

15. Treasurer
 - a) shall be the chief financial Executive of the Assoc.
 - b) shall be responsible for all annual and casino reports.
 - c) shall preserve carefully the records of accounts, banking records, dues, fees, contributions, donations, and all disbursements.
 - d) shall provide a statement of disbursements and receivables at each meeting.
16. Recording Secretary
 - a) shall maintain an accurate record of times recorded by the membership.
 - b) shall collect all entry fees due at all APGA hosted runs.
 - c) shall calculate points during the current year and post-same points.
 - d) shall calculate points to determine the year-end winners.
 - e) Shall collect membership forms. Collect annual fees to submit to treasurer.
 - f) Shall visibly post results/standings at beginning of each show
 - g) Shall provide current rule book and 100 pt system with your registration.
17. Board of Directors
 - a) Prize directors are responsible for prizes at year end
 - b) Area directors in case of cancellations or added shows will be responsible for contacting members in their district.
 - c) Need to be available for special executive meetings.
18. In absence of both the President and Vice President, a Chairperson may be elected by the members to run the

meetings.

19. In the absence of either the Secretary or the Treasurer, the duties of the office shall be discharged by such officer as may be appointed by the Executive.

AUDITING

20. The books, accounts and records of the Secretary and Treasurer shall be audited at least once each year by a duly qualified accountant or by two members of the society elected for that purpose at the Annual Meeting
21. The books and records of the Assoc. may be inspected by any member of the Assoc. at the Annual General Meeting provided for herein or at any time upon giving reasonable notice and arranging a time satisfactory to the officers having charge of the same. Each member of the Executive shall at all times have access to such books and records.

MEETINGS

22. The Annual General Meeting shall be held no later than December 31st of any given year.
23. The Assoc. General Meeting shall be as required throughout the membership year
24. Special General Meetings of the Assoc. may be called whenever the same are deemed to be necessary or advisable.
25. No business shall be transacted at any meeting unless a quorum of members is present at the time the meeting proceeds to business and throughout the meeting.

QUORUM

26. The quorum, for the General Meeting shall consist of 25% of the membership in attendance at such meetings.
27. The quorum, for a special meeting shall consist of 25%

of the membership in attendance at such meeting.

VOTE

28. a) Every eligible voting member in attendance shall be entitled to vote on any question arising at any General Meeting of the Assoc. The chairperson of any meeting shall not have a vote, except in the case of a tie vote when the chairperson shall cast one vote to break the tie.
- a) Those entitled to vote at a meeting are to be 14 years of age and older.

BORROWING

29. The Assoc. can borrow money on the approval of the membership at a meeting where a special resolution has been passed, with the signature of any two or three of the signing officers.

AMENDMENTS

30. Amendments to these By-Laws may be made at any General Meeting of the Association by passing a Special Resolution by a majority of not less than 51% of such membership entitled to vote as are present. Notice of any such proposed amendments shall be presented to the membership of the Association at least twenty-one days before such a meeting.

DISSOLUTION

31. The Alberta Provincial Gymkhana Association can only be dissolved at a regular or special meeting by a majority vote of not less than $\frac{3}{4}$ of those eligible members (age 14 and over) to vote and are present. Funds and any assets remaining after disbursement to

debts and liabilities are to be disbursed to an eligible charitable group(s) or purpose(s) as voted upon by a quorum of the membership.

GENERAL PROVISIONS

32. The President, Secretary, Treasurer, and Recording Secretary, any 2 of the 4 must sign contractual obligations on behalf of the Assoc.
33. The President, Secretary, Treasurer or Recording Secretary, any 2 of the 4 must sign cheques on behalf of the Assoc.
34. The membership shall be empowered to appoint honorary and/or life membership of the APGA to citizens, who for various reasons have made outstanding contributions to the organization.
 - a) Lifetime memberships are awarded to members 65 and older who have been members for more than 10 years.
35. General Meetings will be governed by the following agenda:
 - a) meeting called to order by the Chairperson.
 - b) reading of the minutes of previous General Meeting.
 - c) treasurer's report.
 - d) business arising from the minutes.
 - e) correspondence.
 - f) new business.
 - g) committee reports.
 - h) schedules
 - i) adjournment

Alberta Provincial Gymkhana Association (A.P.G.A.)
100 Point System - Barrels

15.00	100	17.50	75	20.00	50	22.50	25
15.10	99	17.60	74	20.10	49	22.60	24
15.20	98	17.70	73	20.20	48	22.70	23
15.30	97	17.80	72	20.30	47	22.80	22
15.40	96	17.90	71	20.40	46	22.90	21
15.50	95	18.00	70	20.50	45	23.00	20
15.60	94	18.10	69	20.60	44	23.10	19
15.70	93	18.20	68	20.70	43	23.20	18
15.80	92	18.30	67	20.80	42	23.30	17
15.90	91	18.40	66	20.90	41	23.40	16
16.00	90	18.50	65	21.00	40	23.50	15
16.10	89	18.60	64	21.10	39	23.60	14
16.20	88	18.70	63	21.20	38	23.70	13
16.30	87	18.80	62	21.30	37	23.80	12
16.40	86	18.90	61	21.40	36	23.90	11
16.50	85	19.00	60	21.50	35	24.00	10
16.60	84	19.10	59	21.60	34	24.10	9
16.70	83	19.20	58	21.70	33	24.20	8
16.80	82	19.30	57	21.80	32	24.30	7
16.90	81	19.40	56	21.90	31	24.40	6
17.00	80	19.50	55	22.00	30	24.50	5
17.10	79	19.60	54	22.10	29	24.60	4
17.20	78	19.70	53	22.20	28	24.70	3
17.30	77	19.80	52	22.30	27	24.80	2
17.40	76	19.90	51	22.40	26	24.90	1

Any time over 24.91 is 0 points

Alberta Provincial Gymkhana Association (A.P.G.A.)
100 Point System - Poles

21.00	100	23.50	75	26.00	50	28.50	25
21.10	99	23.60	74	26.10	49	28.60	24
21.20	98	23.70	73	26.20	48	28.70	23
21.30	97	23.80	72	26.30	47	28.80	22
21.40	96	23.90	71	26.40	46	28.90	21
21.50	95	24.00	70	26.50	45	29.00	20
21.60	94	24.10	69	26.60	44	29.10	19
21.70	93	24.20	68	26.70	43	29.20	18
21.80	92	24.30	67	26.80	42	29.30	17
21.90	91	24.40	66	26.90	41	29.40	16
22.00	90	24.50	65	27.00	40	29.50	15
22.10	89	24.60	64	27.10	39	29.60	14
22.20	88	24.70	63	27.20	38	29.70	13
22.30	87	24.80	62	27.30	37	29.80	12
22.40	86	24.90	61	27.40	36	29.90	11
22.50	85	25.00	60	27.50	35	30.00	10
22.60	84	25.10	59	27.60	34	30.10	9
22.70	83	25.20	58	27.70	33	30.20	8
22.80	82	25.30	57	27.80	32	30.30	7
22.90	81	25.40	56	27.90	31	30.40	6
23.00	80	25.50	55	28.00	30	30.50	5
23.10	79	25.60	54	28.10	29	30.60	4
23.20	78	25.70	53	28.20	28	30.70	3
23.30	77	25.80	52	28.30	27	30.80	2
23.40	76	25.90	51	28.40	26	30.90	1

Any time over 30.91 is 0 points

Alberta Provincial Gymkhana Association (A.P.G.A.)
100 Point System - Stakes

18.00	100	20.50	75	23.00	50	25.50	25
18.10	99	20.60	74	23.10	49	25.60	24
18.20	98	20.70	73	23.20	48	25.70	23
18.30	97	20.80	72	23.30	47	25.80	22
18.40	96	20.90	71	23.40	46	25.90	21
18.50	95	21.00	70	23.50	45	26.00	20
18.60	94	21.10	69	23.60	44	26.10	19
18.70	93	21.20	68	23.70	43	26.20	18
18.80	92	21.30	67	23.80	42	26.30	17
18.90	91	21.40	66	23.90	41	26.40	16
19.00	90	21.50	65	24.00	40	26.50	15
19.10	89	21.60	64	24.10	39	26.60	14
19.20	88	21.70	63	24.20	38	26.70	13
19.30	87	21.80	62	24.30	37	26.80	12
19.40	86	21.90	61	24.40	36	26.90	11
19.50	85	22.00	60	24.50	35	27.00	10
19.60	84	22.10	59	24.60	34	27.10	9
19.70	83	22.20	58	24.70	33	27.20	8
19.80	82	22.30	57	24.80	32	27.30	7
19.90	81	22.40	56	24.90	31	27.40	6
20.00	80	22.50	55	25.00	30	27.50	5
20.10	79	22.60	54	25.10	29	27.60	4
20.20	78	22.70	53	25.20	28	27.70	3
20.30	77	22.80	52	25.30	27	27.80	2
20.40	76	22.90	51	25.40	26	27.90	1

Any time over 27.91 is 0 points

Alberta Provincial Gymkhana Association (A.P.G.A.)
100 Point System - Keyhole

9.00	100	11.50	75	14.00	50	16.50	25
9.10	99	11.60	74	14.10	49	16.60	24
9.20	98	11.70	73	14.20	48	16.70	23
9.30	97	11.80	72	14.30	47	16.80	22
9.40	96	11.90	71	14.40	46	16.90	21
9.50	95	12.00	70	14.50	45	17.00	20
9.60	94	12.10	69	14.60	44	17.10	19
9.70	93	12.20	68	14.70	43	17.20	18
9.80	92	12.30	67	14.80	42	17.30	17
9.90	91	12.40	66	14.90	41	17.40	16
10.00	90	12.50	65	15.00	40	17.50	15
10.10	89	12.60	64	15.10	39	17.60	14
10.20	88	12.70	63	15.20	38	17.70	13
10.30	87	12.80	62	15.30	37	17.80	12
10.40	86	12.90	61	15.40	36	17.90	11
10.50	85	13.00	60	15.50	35	18.00	10
10.60	84	13.10	59	15.60	34	18.10	9
10.70	83	13.20	58	15.70	33	18.20	8
10.80	82	13.30	57	15.80	32	18.30	7
10.90	81	13.40	56	15.90	31	18.40	6
11.00	80	13.50	55	16.00	30	18.50	5
11.10	79	13.60	54	16.10	29	18.60	4
11.20	78	13.70	53	16.20	28	18.70	3
11.30	77	13.80	52	16.30	27	18.80	2
11.40	76	13.90	51	16.40	26	18.90	1

Any time over 18.91 is 0 points

Alberta Provincial Gymkhana Association (A.P.G.A.)
100 Point System - Flags

30.00	100	32.50	75	35.00	50	37.50	25
30.10	99	32.60	74	35.10	49	37.60	24
30.20	98	32.70	73	35.20	48	37.70	23
30.30	97	32.80	72	35.30	47	37.80	22
30.40	96	32.90	71	35.40	46	37.90	21
30.50	95	33.00	70	35.50	45	38.00	20
30.60	94	33.10	69	35.60	44	38.10	19
30.70	93	33.20	68	35.70	43	38.20	18
30.80	92	33.30	67	35.80	42	38.30	17
30.90	91	33.40	66	35.90	41	38.40	16
31.00	90	33.50	65	36.00	40	38.50	15
31.10	89	33.60	64	36.10	39	38.60	14
31.20	88	33.70	63	36.20	38	38.70	13
31.30	87	33.80	62	36.30	37	38.80	12
31.40	86	33.90	61	36.40	36	38.90	11
31.50	85	34.00	60	36.50	35	39.00	10
31.60	84	34.10	59	36.60	34	39.10	9
31.70	83	34.20	58	36.70	33	39.20	8
31.80	82	34.30	57	36.80	32	39.30	7
31.90	81	34.40	56	36.90	31	39.40	6
32.00	80	34.50	55	37.00	30	39.50	5
32.10	79	34.60	54	37.10	29	39.60	4
32.20	78	34.70	53	37.20	28	39.70	3
32.30	77	34.80	52	37.30	27	39.80	2
32.40	76	34.90	51	37.40	26	39.90	1

Any time over 39.91 is 0 points



Gymkhana Prayer

*Heavenly Father we pause
ever mindful of the many blessings
you have bestowed upon us.*

We do not ask for any special favours.

*We don't ask to always run on good grounds,
To never hit a barrel, drop a flag
Or to never touch the white line.*

*But we do ask that you teach us to live our lives
In such a way
That when we make that final ride,
Where the winds blow cool and
The grass grows lush, green and stirrup high
That you as our last judge will tell us that
Our entry fees have been paid.*

Amen